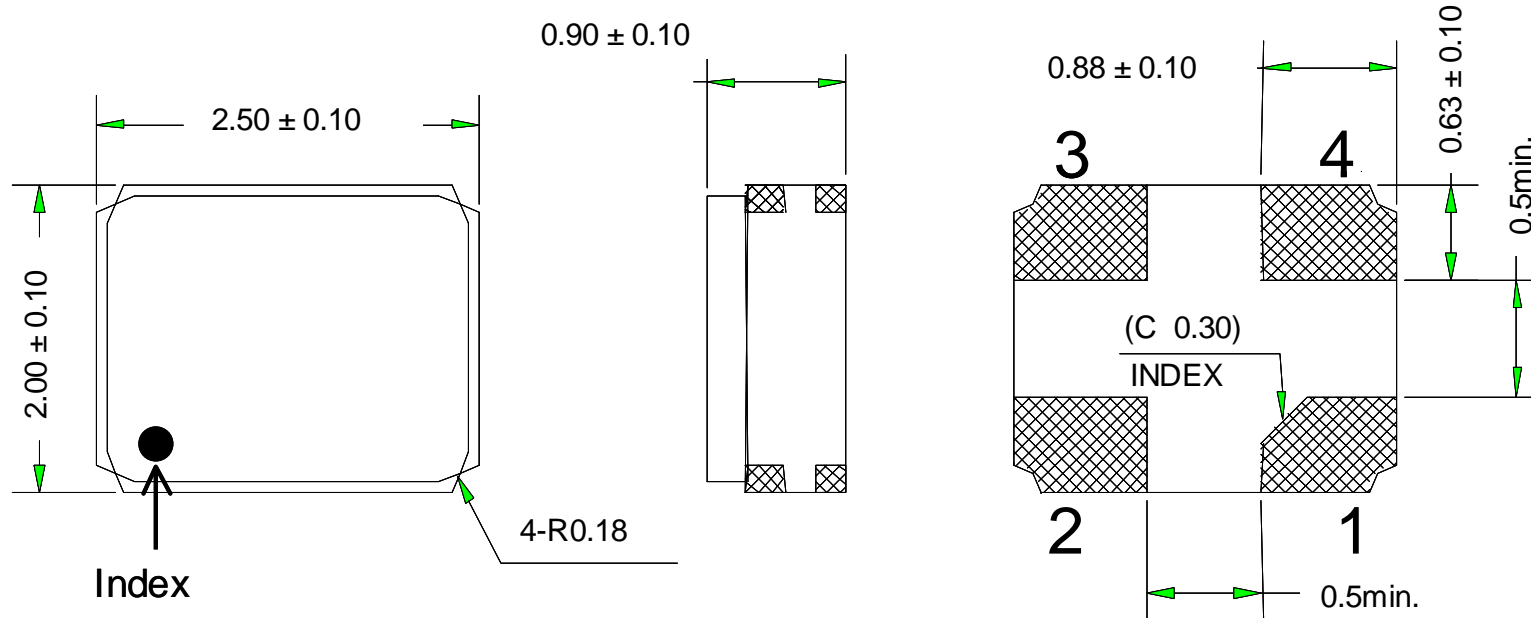


# 2.5 x 2.0mm package F5CP / F6CP Dimensions & Pin Configuration

March 13, 2003  
Version 1.0



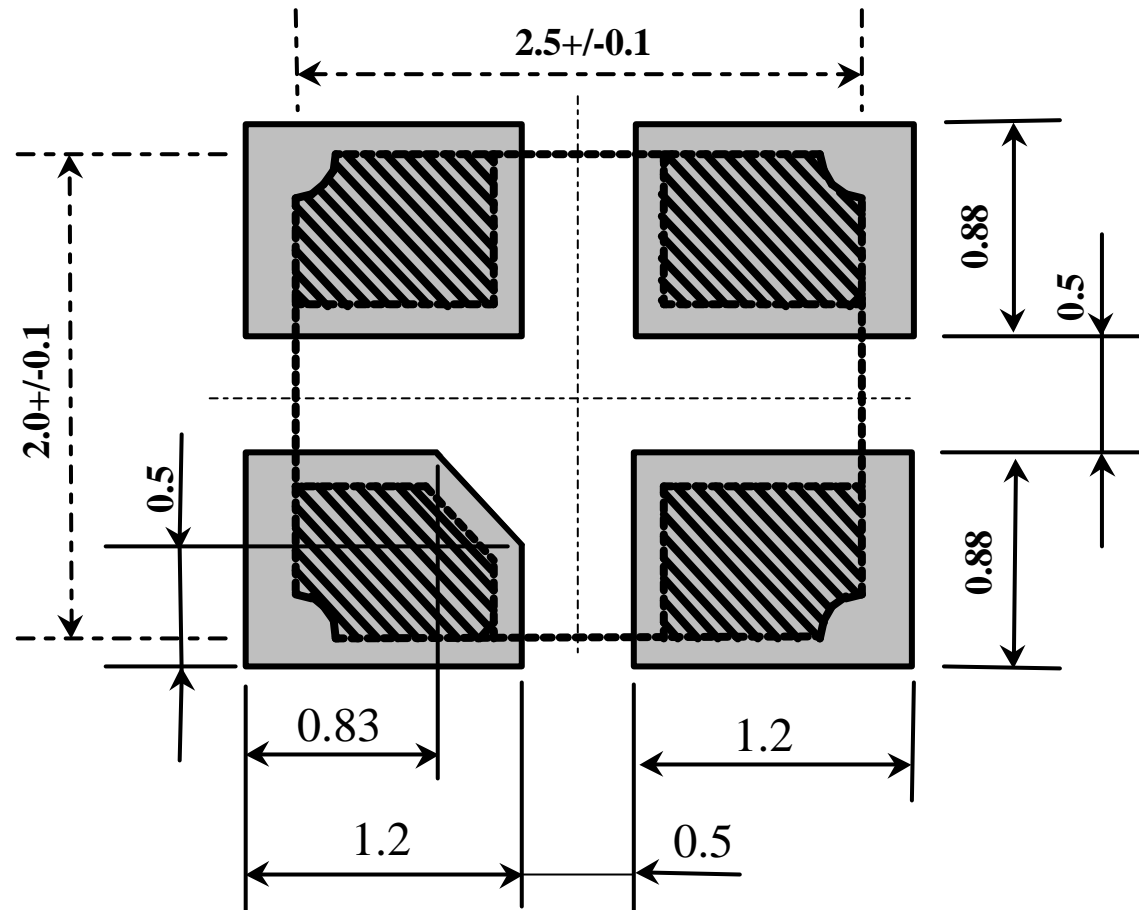
1 to 4 : Pin No.

Unit : mm

Pin No.	Symbol	Function
1	IN	Input
2	GND	Ground
3	OUT	Output
4	GND	Ground

# 2.5x2.0 mm package (F5CP/F6CP) Recommended footprint pattern

FUJITSU



Dimensions in mm